



## 大电流继电器

High Current Relay

100A/180A

### 特性参数 / CHARACTERISTICS PARAMETERS

绝缘等级	Insulation level	Class B / Class F	
绝缘电阻	Insulation resistance	100MΩ (500VDC)	
介质耐压 (漏电流 1mA)	Dielectric strength (Leakage current 1mA)	线圈与触点间耐压 Dielectric strength (Between coil and contacts)	500VAC 1分钟/minute
		断开触点间耐压 Dielectric strength (Between open contacts)	500VAC 1分钟/minute
吸合时间(额定电压下)	Operate time(at nominal voltage)	≤25ms	
释放时间(额定电压下)	Release time (without diode)(at nominal voltage)	≤10ms	
湿度	Humidity	5% ~ 85% RH	
环境温度	Ambient temperature	-40°C ~ +125°C	
抗冲击	Shock resistance	稳定性/Functional	196m/s <sup>2</sup>
		强度/Destructive	490m/s <sup>2</sup>
抗振动	Vibration resistance	10Hz~500Hz 49m/s <sup>2</sup>	
重量	Weight	约/Approx 230g	
封装形式	Construction	防尘型/Dust-proof	

备注: 以上数据均为初始值

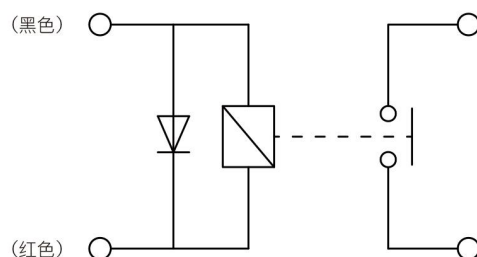
Remark: All above data is initial value

### 线圈参数 / COIL PARAMETERS

常温/At 23°C

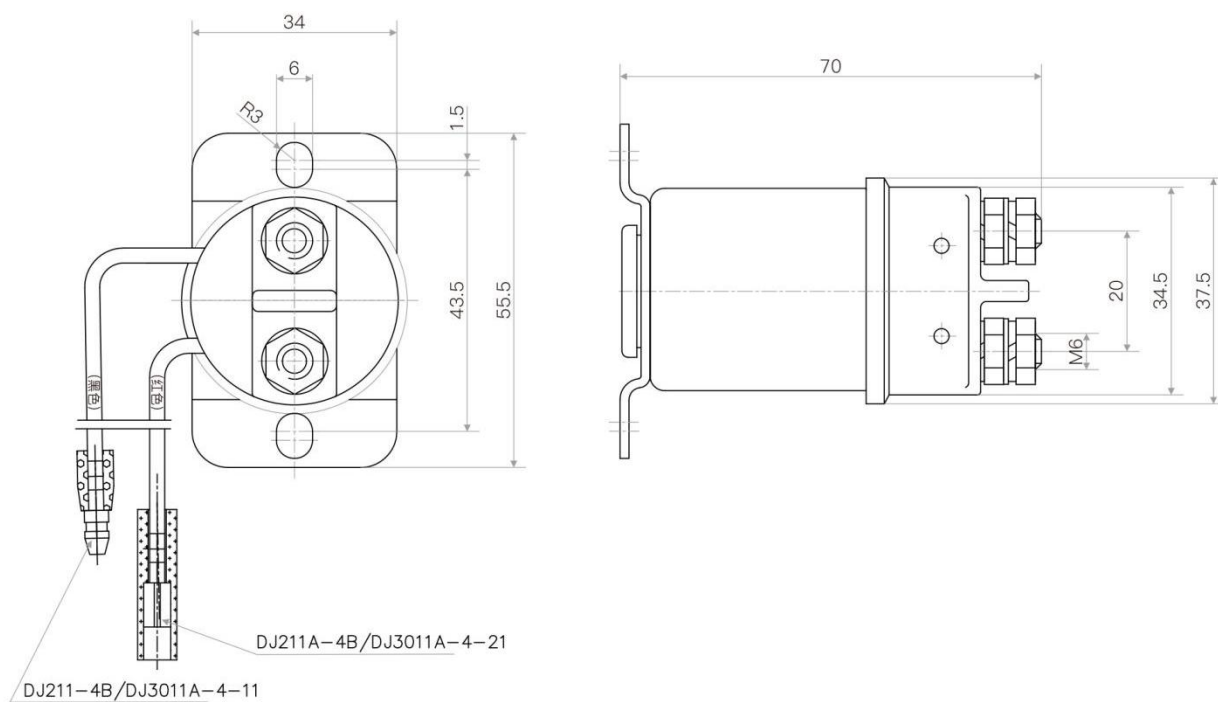
功耗(W)	Power consumption(W)	26W	26W
额定电压(VDC)	Nominal voltage(VDC)	12	24
额定电流(A)	Nominal current(A)	2.18	1.09
电阻(Ω±10%)	Resistance(Ω±10%)	5.5	22
吸合电压(VDC)	Pick-up voltage(VDC)	≤8	≤16
释放电压(VDC)	Drop-out voltage(VDC)	1~3	1~4
允许最大电压(VDC)	Max allowable overdrive voltage(VDC)	150%额定电压(Nominal voltage)	150%额定电压(Nominal voltage)

### 线路图 / WIRING DIAGRAM



### 外形图 / OUTLINE DIMENSIONS

单位/Unit(mm)



未注公差/Tolerance:  $\pm 0.3$       端子垂直度/Terminal vertical deviation tolerance: 0.3mm